



Description

PAKKENS TE Series Bimetal Thermomanometers are combined measurement instruments that consist of Bourdon tube pressure gauges and bimetal thermometers. That model, which is mostly used in heating applications, is designed for fitting them directly into the systems where the end-user can read both system's pressure and its temperature.

Industrial Applications

Hot Water Boilers, Heating Applications

General Specifications

Sizes (mm):

100

Unit:

Manometer : bar

Thermometer : °C

Measurement Ranges:

Manometer : 0/2.5...25 bar

Thermometer : 0...120°C

Accuracy Class:

Manometer : Cl. 2.5 (EN837-1)

Thermometer : ±4°C

Working Range:

Manometer:

Steady: 75% of Full Scale

Short time: 100% of Full Scale

Thermometer:

100% of Full Scale

Overpressure Resistance::

1,5xFull Scale

Ingress Protection Rate:

IP41

Versions:

Standard

Process Connections:

G1/2"B

Materials:

Bourdon Tube:

Copper Alloy

Socket:

Brass

Bimetal Cover:

Brass

Case:

Black Painted Carbon Steel

Cover:

Acrylic (Optional: Black Painted Carbon Steel)

Movement:

Brass

Window:

Acrylic

Dial:

Aluminium

Pointer:

Manometer : Plastic, Black

Thermometer : Plastic, Black

Warning Pointer:

Plastic, Red

Options:

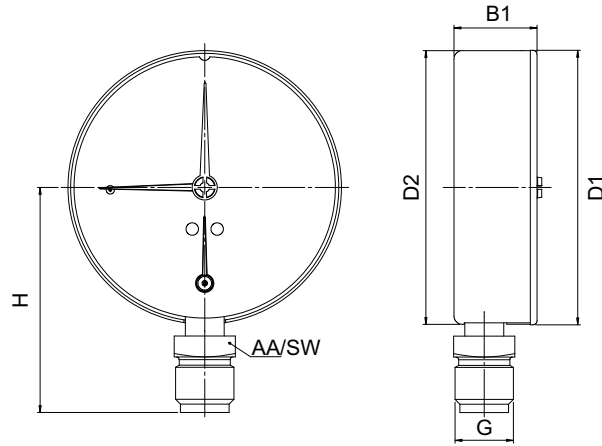
Other Process Connections

Other Units

Special Dial Design

Dimensions(mm)

01- Ø100



Ø	Connections	Version	Case	Window	Cover	D1	D2	B1	H	G	SW
100	Bottom	Standard	Metal	Plastic	Plastic	99	98,5	30	81	G1/2" - 1/2"NPT	22
		Optional	Metal	Plastic	Metal	100	98,5	33	81	G1/2" - 1/2"NPT	22

Approvals:



Turkish Standards Institution



ISO 9001 Quality Management System



TURKAK Calibration Laboratory Accreditation Certificate



2014/68/EU Pressure Equipment Directive - Certificate of Conformity



211/65/EU Restriction of Hazardous Substances Directive - Declaration of Conformity



Gost Certificate

*System and quality certifications of PAKKENS Inc.
Product and product group certifications may vary*