



Description

General Purpose Stainless Steel Pressure Gauges are designed for pressure measurements in industrial applications where high accuracy is not needed. General Purpose Stainless Steel Pressure Gauges have different case designs and wide pressure measurement range and are all compatible with process fluids that do not attack AISI 316L. The filling liquid used in the products lessens the effects of high dynamic pressure loads and vibration to the pressure gauge.

Industrial Applications

Water&Waste-Water treatment plants, machine building, HVAC systems, hydraulic and pneumatics, process lines

General Specifications

Conformity:

EN 837-1

Gauge Sizes (mm):

Ø63

Unit:

bar/psi

Measurement Ranges:

0/2,5...600 bar (0/36...9000 psi)

Equivalent compound gauge scales

Accuracy Class:

Cl. 2,5 (Optional: Cl.1,6)

Working Pressure:

75% of Full Scale

Overpressure Resistance:

1.25xFull Scale (Up to 100 bar)

1.15xFull Scale (From 100 bar to 600 bar)

1.1xFull Scale (Over 600 bar)

Ingress Protection Rate:

IP65

Versions:

Fillable

Liquid-Filled : Glycerin (Optional: Silicone Oil)

Working Temperature Range:

Ambient: -20...60°C

Process: 100°C (Liquid Filled)

200°C (Fillable or Silicone Oil Filled)

Process Connections:

G1/4"B

Materials:

Bourdon Tube:

AISI 316L

Socket:

AISI 316L

Case:

AISI 316L

Cover:

AISI 316L

Movement:

Stainless Steel

Window:

Acrylic

Dial:

Aluminium

Pointer:

Aluminium

Options:

Other process connections

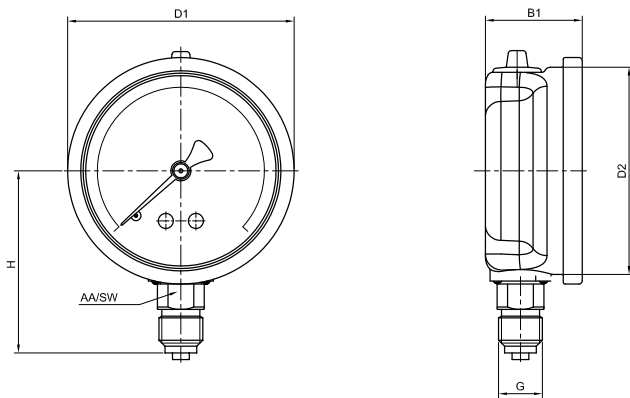
Other pressure units

Dampened Movement (Vib-Lock)

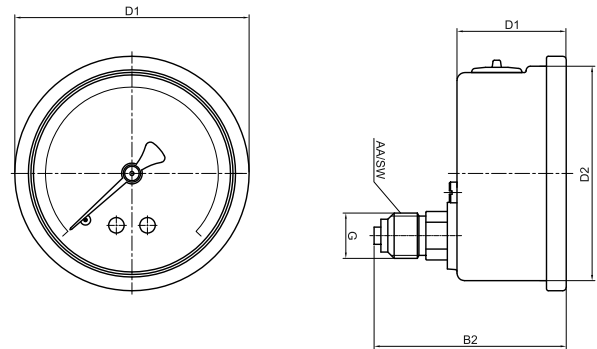
Special dial design

Dimensions (mm)

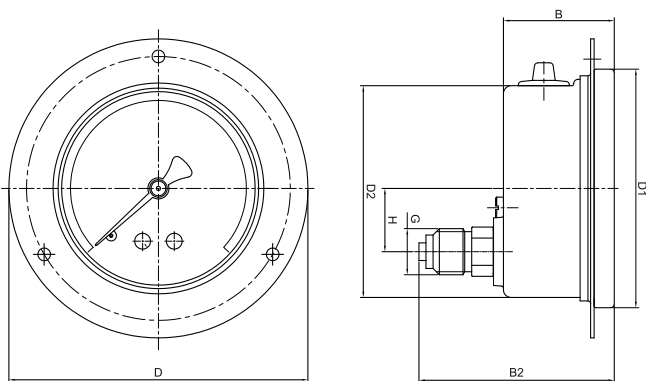
01-Bottom Connection



04-Lower Back



05-Lower Back, Front Flange



Ø	Connections	Version	Case	Window	Cover	D	D1	D2	B1	B2	H	G	SW
Ø63	Bottom	Standard	Metal	Plastic	Metal	-	68	62	30,5	-	54,5	G1/4"	14
	Lower Back	Standard	Metal	Plastic	Metal	-	68	62	31,5	55,6	-	G1/4"	14
	Lower Back, Front Flange	Standard	Metal	Plastic	Metal	85	68	62	31,5	53,2	-	G1/4"	14

Approvals:



Turkish Standards Institution



ISO 9001 Quality Management System



TURKAK Calibration Laboratory Accreditation Certificate



2014/68/EU Pressure Equipment Directive - Certificate of Conformity



211/65/EU Restriction of Hazardous Substances Directive - Declaration of Conformity



Gost Certificate



2104/34/EU Equipment and Protective Systems Intended for use in Potentially Explosive Atmospheres - Certificate of Conformity

*System and quality certifications of PAKKENS Inc.
Product and product group certifications may vary*