



Description

PAKKENS TB Series Temperature Gauges have been designed according to EN 13190 standard and is mainly used in process industry as well as the aggressive environments where AISI 316L material is resistant to the process fluid.

The modular design of the temperature gauge makes it enable to have different combinations of nominal sizes, different reading angles, stem lengths, stem diameters, and scale ranges.

The bimetal temperature gauges are assembled to the processes with screw-in thermowells. Besides protecting the measurement instrument, the thermowell is also used for exchanging the temperature gauge without halting the systems. Additionally, that type of thermometers can be manufactured with a compression fitting that allows the end-user to adjust the stem length.

Industrial Applications

Energy Generation, Chemical and Petrochemical Plants, Oil and Gas Industry, Water/wastewater Treatment Plants, Machine building, and Process Industry

General Specifications

Confirmity:

EN13190

Temperature Sensing Element:

Bimetal Helix Coil

Sizes (mm):

Ø100, Ø160

Bulb Diameter (mm):

Ø9 (Optional: Ø6, Ø8)

Connection Type:

Compression Fitting-G1/2" B (Optional: Ø12mm Thermowell)

Unit:

°C

Immersion Length (mm):

100mm...1000mm

Measurement Ranges:

-30°C...500°C

Accuracy Class:

CL 1.0, CL 2.0

Ingress Protection Rate:

IP65

Max. Working Pressure:

25 bar

Process Connections:

G1/2"B

Materials:

Bimetal Cover:

AISI 316L

Thermowell:

AISI 316L

Case:

AISI 304

Cover:

AISI 304

Window:

Glass

Dial:

Aluminium

Pointer:

Aluminium

Options:

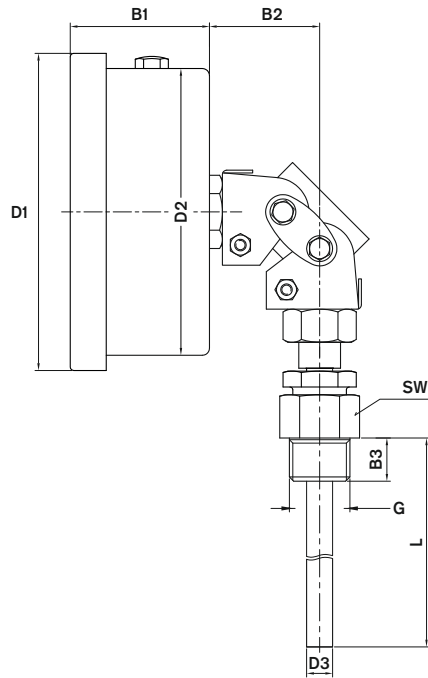
Other process connections

Other temperature units

Special dial design

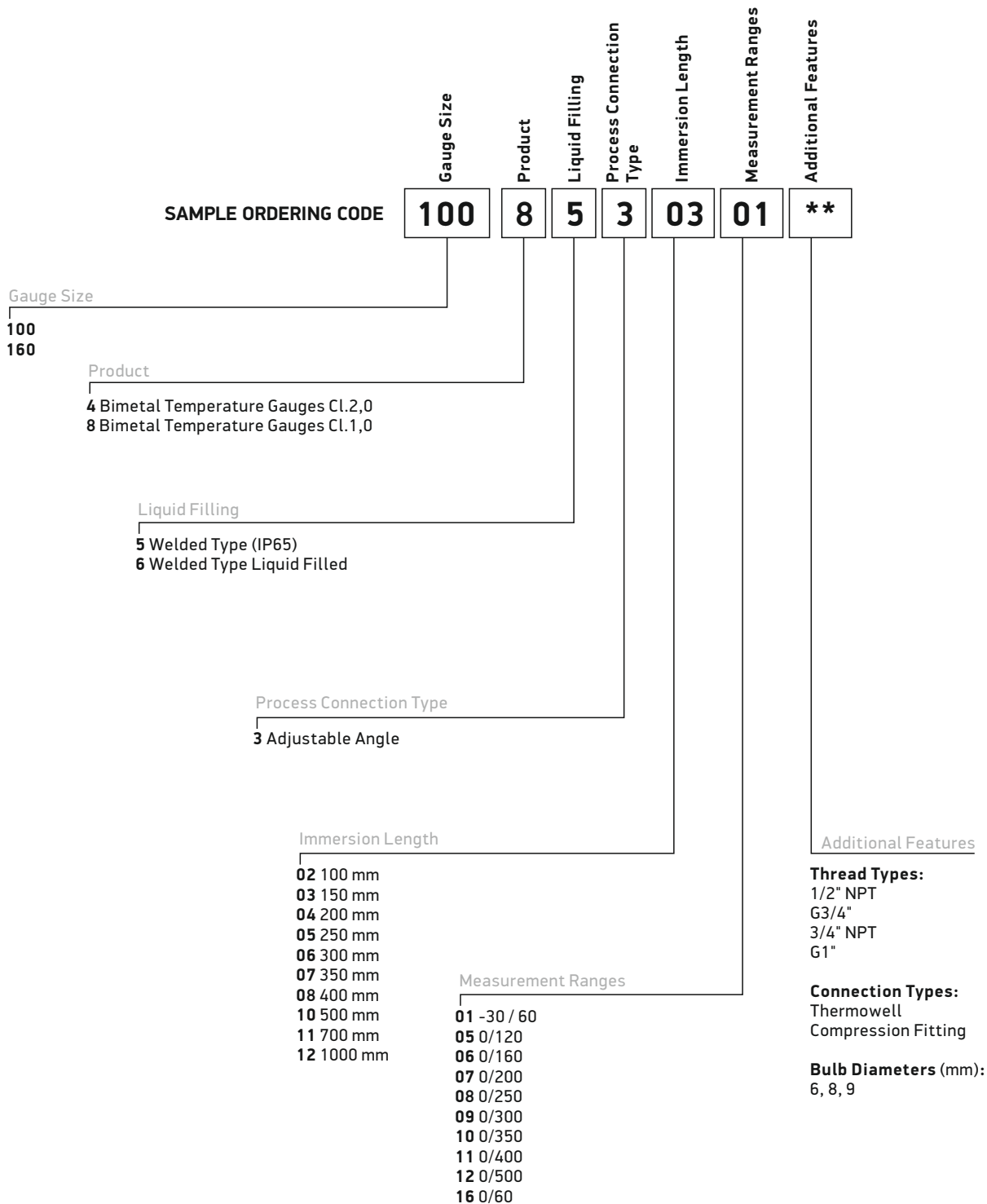
Dimensions (mm)

01- Ø100, Ø160



Ø	Connection	Version	Case	Window	Cover	D1	D2	D3	B1	B2	B3	L	G	SW
100	Compression Fitting	Standard	Metal	Glass	Metal	110	100	9 (6-8)	48	38	15	100-1000	G1/2"	24
160		Standard	Metal	Glass	Metal	174	160	9 (6-8)	48	38	15	100-1000	G1/2"	24
100	Thermowell	Standard	Metal	Glass	Metal	110	100	12	48	38	15	100-1000	G1/2"	22
160		Standard	Metal	Glass	Metal	174	160	12	48	38	15	100-1000	G1/2"	22

How To Order?



Approvals:



Turkish Standards Institution

EN ISO 9001

ISO 9001 Quality Management System



TURKAK Calibration Laboratory Accreditation Certificate



2014/68/EU Pressure Equipment Directive - Certificate of Conformity



211/65/EU Restriction of Hazardous Substances Directive - Declaration of Conformity



Gost Certificate

*System and quality certifications of PAKKENS Inc.
Product and product group certifications may vary*