



## Description:

Stainless Steel Accurate Pressure Gauges are designed for pressure measurements in different industrial applications where high accuracy is needed. Stainless Steel Accurate Pressure Gauges have various case designs and wide pressure measurement ranges and are all compatible with process fluids that do not attack AISI 316L. The filling liquid used in the products lessens the effects of high dynamic pressure loads and vibration to the pressure gauge.

## Industrial Applications:

Water & Waste-Water treatment plants, machine building, HVAC systems, hydraulic and pneumatics, process lines

## General Specifications

### Conformity:

EN 837-1

### Sizes (mm):

Ø100, Ø160

### Unit:

bar/psi

### Measurement Ranges:

-1/0, 0/0.6...1000 bar (-15/0, 0/9...15000 psi)

Equivalent compound gauge scales

### Accuracy Class:

CL 1.0

### Working Pressure:

75% of Full Scale

### Overpressure Resistance:

1.25xFull Scale (Up to 100 bar)

1.15xFull Scale (From 100 bar to 600 bar)

1.1xFull Scale (Over 600 bar)

### Ingress Protection Rate:

IP65

### Versions:

Fillable

Liquid-Filled : Glycerin (Optional: Silicone Oil)

### Working Temperature Range:

Ambient: -20...60°C

Process: 100°C (Liquid Filled)

200°C (Fillable or Silicone Oil Filled)

### Process Connections:

G1/2"B

### Materials:

#### Bourdon Tube:

AISI 316L

#### Socket:

AISI 316L

#### Case:

AISI 316L

#### Cover:

AISI 316L

#### Movement:

Stainless Steel

#### Window:

Safety Glass

#### Dial:

Aluminium

#### Pointer:

Aluminium

### Options:

Other process connections

Other pressure units

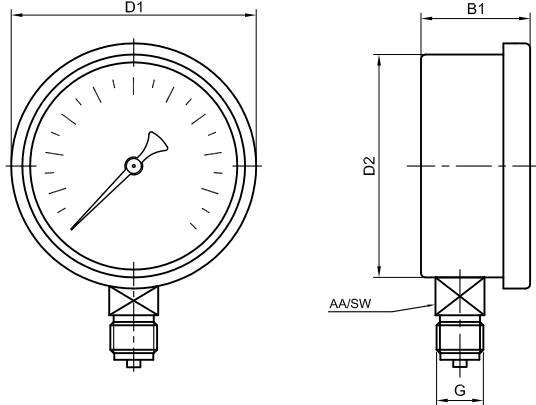
Dampened Movement (Vib-Lock)

Adjustable Pointer

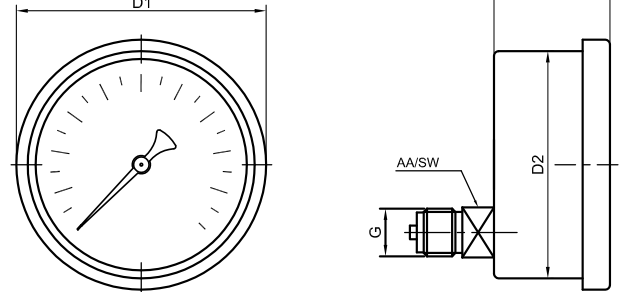
Special dial design

### Dimensions (mm)

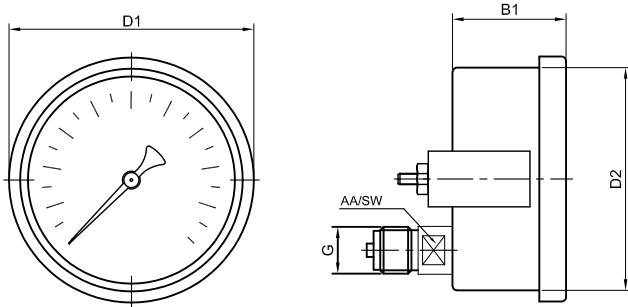
01-Bottom Connection



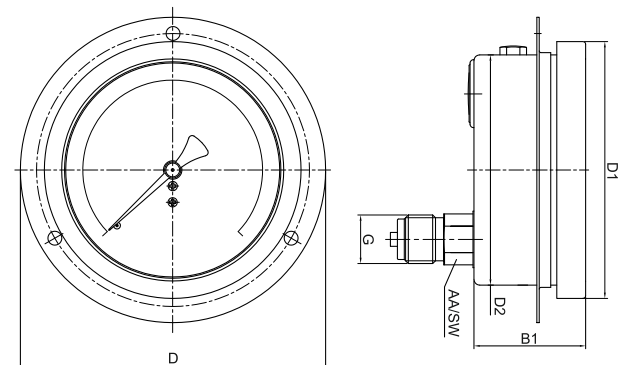
02-Lower Back



03-Lower Back Panel Mount



04-Lower Back Front Flange



NÇ	Connections	Version	Case	Window	Cover	D	D1	D2	B1	G	AA/SW
Ø100	Bottom	Standard	AISI316	Glass	AISI316	-	110	100	48	G1/2"	22
	Lower Back	Standard	AISI316	Glass	AISI316	-	110	100	48	G1/2"	22
	Lower Back Front Flange	Standard	AISI316	Glass	AISI316	132	110	100	48	G1/2"	22
	Lower Back Panel Mount	Standard	AISI316	Glass	AISI316	-	110	100	48	G1/2"	22
Ø160	Bottom	Standard	AISI316	Glass	AISI316	-	174	158	48	G1/2"	22

**Approvals:**

---



Turkish Standards Institution



ISO 9001 Quality Management System



TURKAK Calibration Laboratory Accreditation Certificate



2014/68/EU Pressure Equipment Directive - Certificate of Conformity



211/65/EU Restriction of Hazardous Substances Directive - Declaration of Conformity



Gost Certificate

2104/34/EU Equipment and Protective Systems Intended for use in  
Potentially Explosive Atmospheres - Certificate of Conformity

*System and quality certifications of PAKKENS Inc.  
Product and product group certifications may vary*