



Description:

Solid-Front Pressure Gauges have been designed to meet the extended safety requirements of different industries. Those pressure gauges, which have S3 Safety Designation according to the EN837-1 Standard, are equipped with a baffle wall and a blow-out back. In case of any failure, the baffle wall between the dial and pressure sensing element prevents any frontal damage. Moreover, excessive pressure inside the pressure gauge due to the failure is safely ejected by blow-out back. Except for safety features, Solid-Front Pressure Gauges have a wide measurement range and they are compatible with process media that are not highly viscous, crystallizable, and aggressive. In order to lessen the effects of high dynamic pressure loads and vibrations, the products can be filled with Glycerine or Silicone Oil.

Industrial Applications:

Oil and gas industry, petrochemical plants, mining industry, machine building, hydraulic/pneumatic systems, treatment systems

General Specifications:

Conformity:

EN837-1 (S3 Safety Designation)

Sizes:

Ø100mm and Ø160mm

Measurement Range:

-1 bar/0.6bar...1000bar

Accuracy Class:

CL 1.0

Working Pressure:

75% of Full Scale

Overpressure Resistance:

1.25xFull Scale (Up to 100 bar)

1.15xFull Scale (From 100 bar to 600 bar)

1.1xFull Scale (Over 600 bar)

Versions:

Standard, Fillable, Liquid Filled (Glycerin or Silicone Oil)

Ingress Protection Rate:

IP65

Working Temperature Range:

Ambient:

-20°C...60°C (Standard, Silicone Oil Filled)

-10°C...60°C (Glycerine Filled)

Process:

Max 200°C (Standard, Silicone Oil Filled)

Max 100°C (Glycerine Filled)

Options:

Vib-Lock Mechanism, Adjustable Pointer

Material:

Bourdon Tube and Socket:

AISI 316L

Case and Ring:

AISI 316L

Baffle Wall:

AISI 316L

Blow-out Back:

AISI 316L

Movement:

Stainless Steel

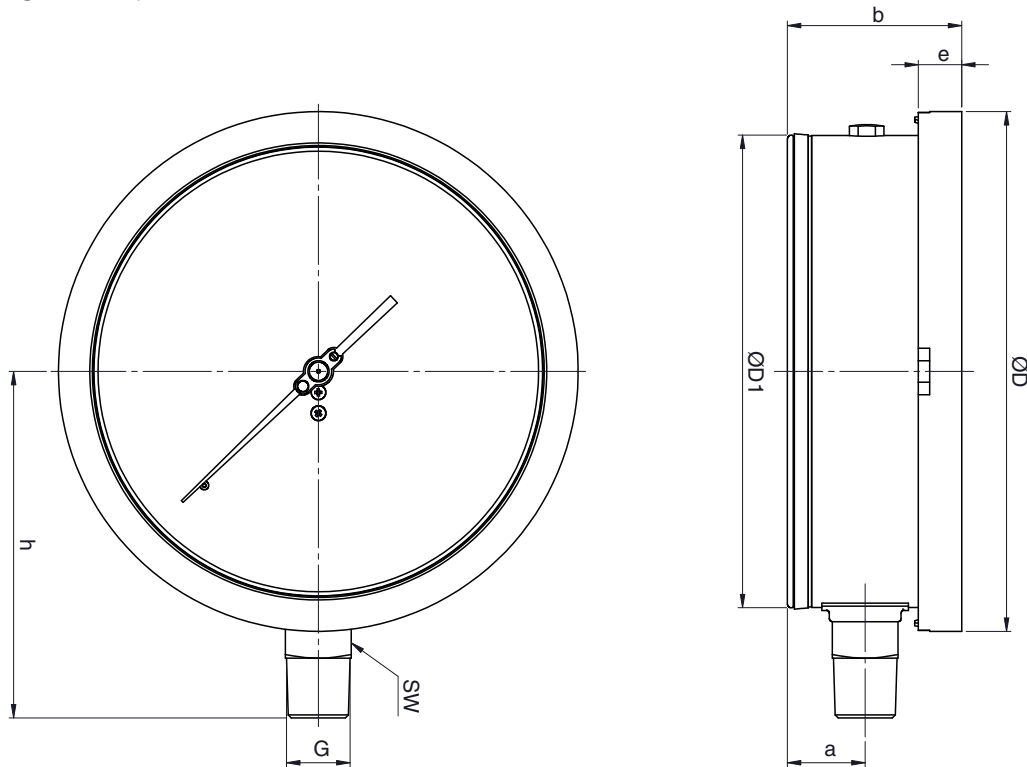
Window:

Laminated Safety Glass

Dial and Pointer:

Aluminium

Dimensions in mm:



Nominal	G	SW	h	b	e	a	ØD	ØD1
Ø100	1/2" NPT	22	85	54.4	12.5	24	110	98.8
Ø160	1/2" NPT	22	116	58.4	14.5	26	174	158.2

Approvals:



Turkish Standards Institution



ISO 9001 Quality Management System



TURKAK Calibration Laboratory Accreditation Certificate



EU Declaration of Conformity



Restriction of Hazardous Substances Directive



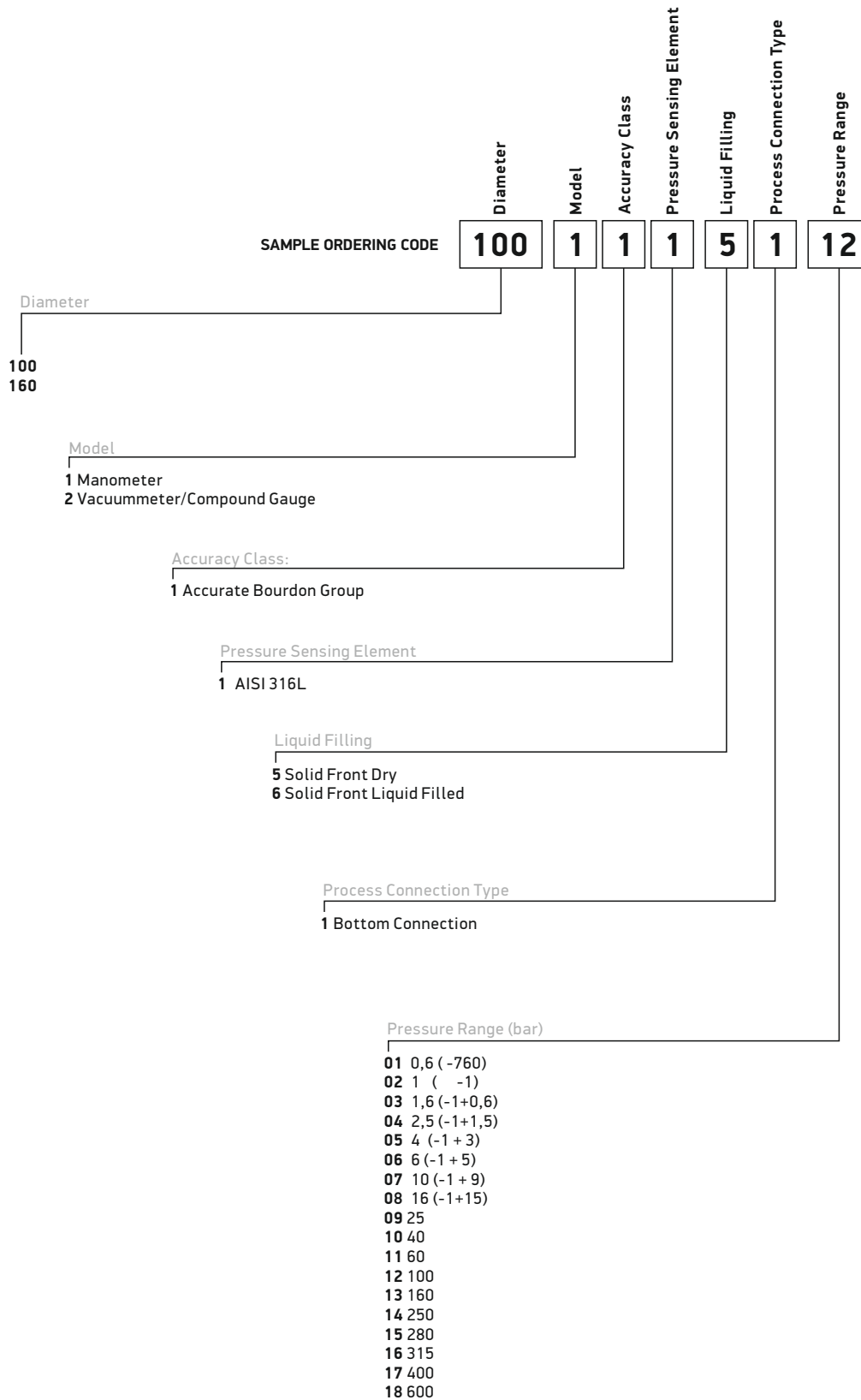
Metrology Measurement Technology



ATEX - Ex-Proof Certificate

According to the provisions of Law No. 5846 on Intellectual and Artistic Works, quotations, drawings, pictures, schemes, graphics etc. cannot be reproduced and copied from this document without permission of PAKKENS A.Ş. If the crimes in question are committed, they will be subject to criminal sanctions under 71st and other provisions of the same law.

How to Order?



Note: For additional features, please contact us!