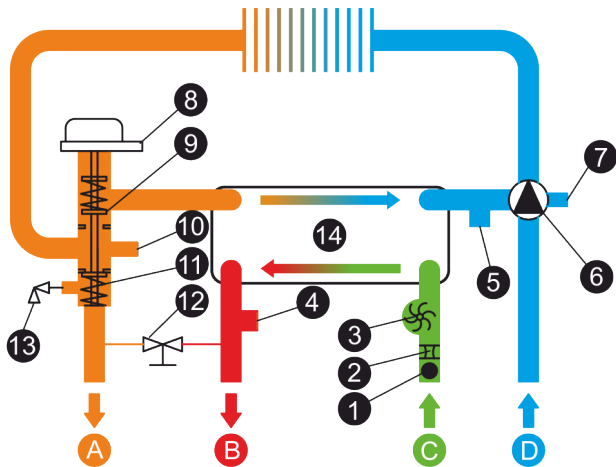


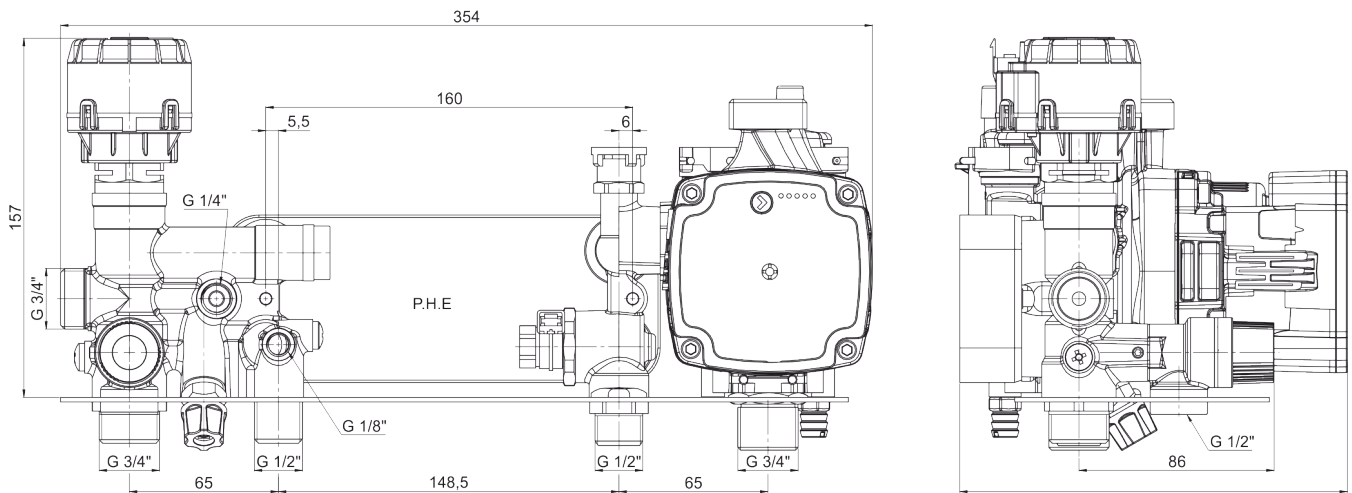
**Image Schéma technique - HB-101**



- 1 DHW Filter
- 2 Flow Regulator
- 3 Flow Sensor
- 4 NTC Sensor Connection
- 5 Pressure Switch/Sensor Con.
- 6 Circulation Pump
- 7 Expansion Vessel Connection
- 8 3 Way Valve Motor
- 9 Automatic Bypass
- 10 Pressure Gauge Conn.
- 11 3 Way Valve
- 12 Filling Tap
- 13 Safety Valve
- 14 Plate Heat Exchanger

- A Heating Delivery CH
- B Sanitary Water Outlet DW
- C Sanitary Water Inlet DW
- D Heating Return CH

/



/