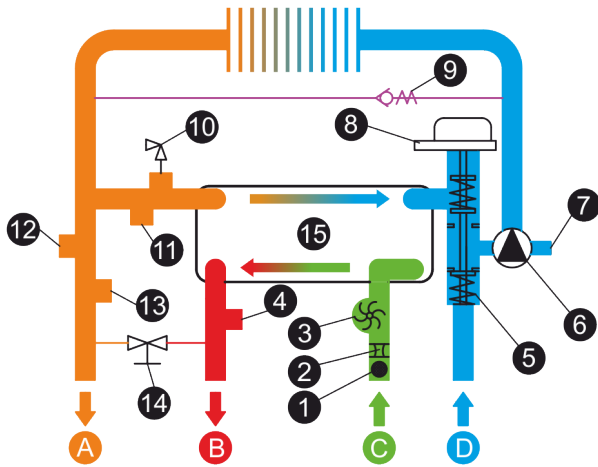
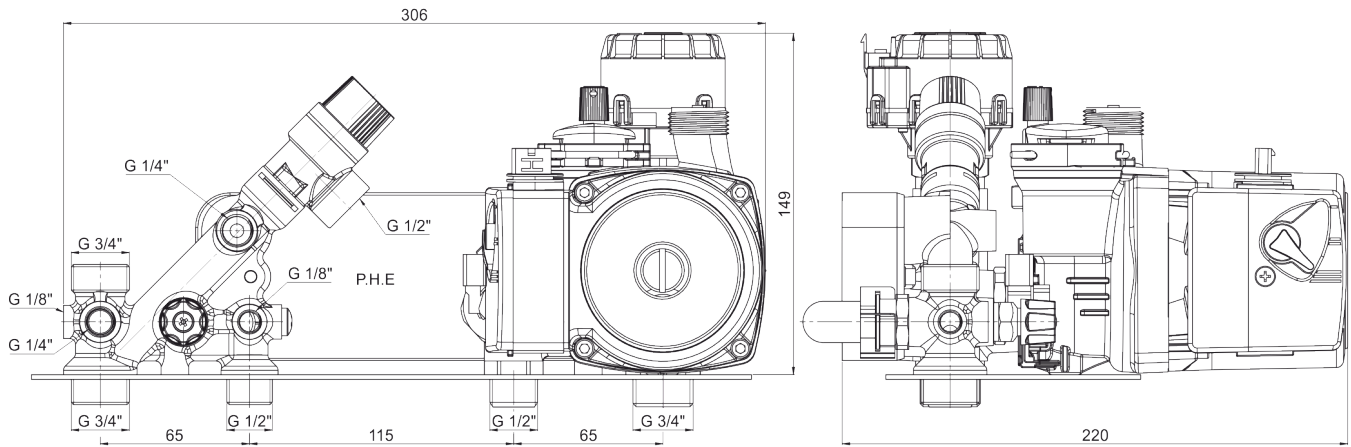


Technical Drawings - HB-117



- 1 DHW Filter
 - 2 Flow Regulator
 - 3 Flow Sensor
 - 4 NTC Sensor Connection
 - 5 3 Way Valve
 - 6 Circulation Pump
 - 7 Expansion Vessel Connection
 - 8 3 Way Valve Motor
 - 9 External Bypass
 - 10 Safety Valve
 - 11 Pressure Switch Sensor Connection
 - 12 Heating Temp. Sensor Con.
 - 13 Drain Valve
 - 14 Filling Tap
 - 15 Plate Heat Exchanger
- A Heating Delivery CH C Sanitary Water Inlet DW
B Sanitary Water Outlet DW D Heating Return CH

/



/