



## Pressure Gauges - MG 100

- Used where no high accuracy is needed.
  - Used for measuring liquid and gases which are suitable to copper alloys.
  - Liquid filled types are used with pulsating pressures or vibrating environments.
- Industry Sector: Water treatment technologies, Machinery Manufacturing, Heating, ventilation, air conditioning (HVAC), Pumps/Compressors and Hydraulic/Pneumatics,



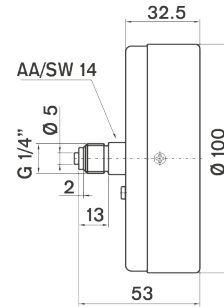
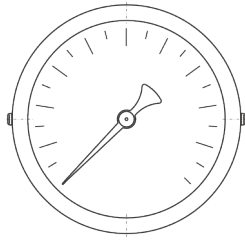
### Usage Properties

Operating Pressure (max.)	· Must not exceed %75 <sup>1</sup> of full scale.
Fluid Temperature	· Maximum + 60 °C
Conformity	· EN 837 - 1
Accuracy Class	· CL 2.5
Ambient Temperature	· - 40...+ 60°C
Protection Rate	· IP 41
Mechanical Vibration Test	· 10Hz-150Hz 1 Octave/minute - 3 axis
Mechanical Shock Test Load	· 15g
Optimum Operating Range	· Between 0,1 x PN and 0,75 x PN
Storage Temperature	· -40 ... +70 °C

### Constructive Properties

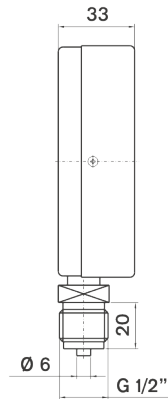
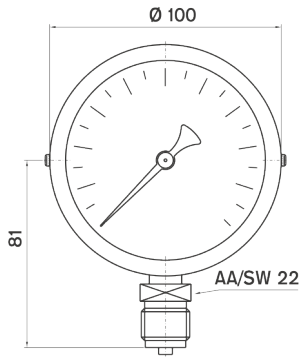
Mounting Type	· Bottom Connection
Scale Unit	· bar/psi
Scale Range (PN)	· 0/0,6 · 0/1 · 0/1,6 · 0/2,5 · 0/4 · 0/6 · 0/10 · 0/16 · 0/25 · 0/40 · 0/60 · 0/100 · 0/160 · 0/250 · 0 - 315 · 0/400 · 0/600
Vacuum Scale Range	· -760 / 0 mmHg · -1 / 0 · -1 / +0,6 · -1 / +1,5 · -1 / +3 · -1 / +5 · -1 / +9
Case	· Steel
Movement	· Brass
Window	· Polycarbonate
Wetted Parts	· Copper Alloy
Connection	· G 1/2" B
Dial	· Aluminum
Pointer	· Aluminum
Welding	· Soldering

**Technical Drawings - MG 100**



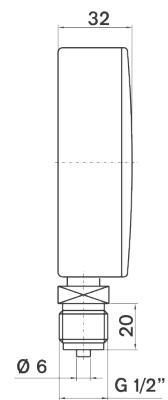
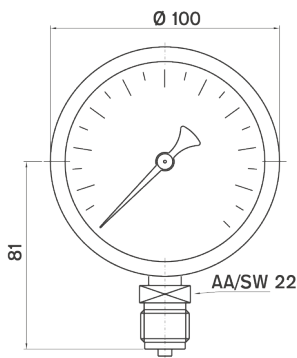
gr.  
273

**100 10 002 MK /**



gr.  
370

**100 10 001 MK /**



gr.  
310

**100 10 001 AK /**