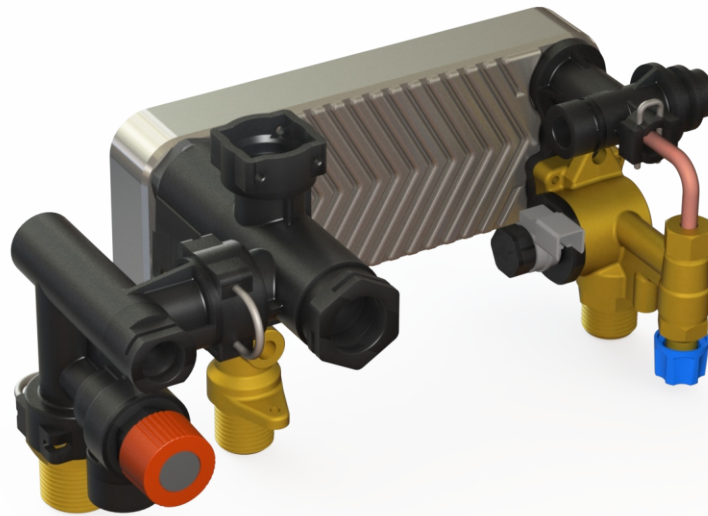
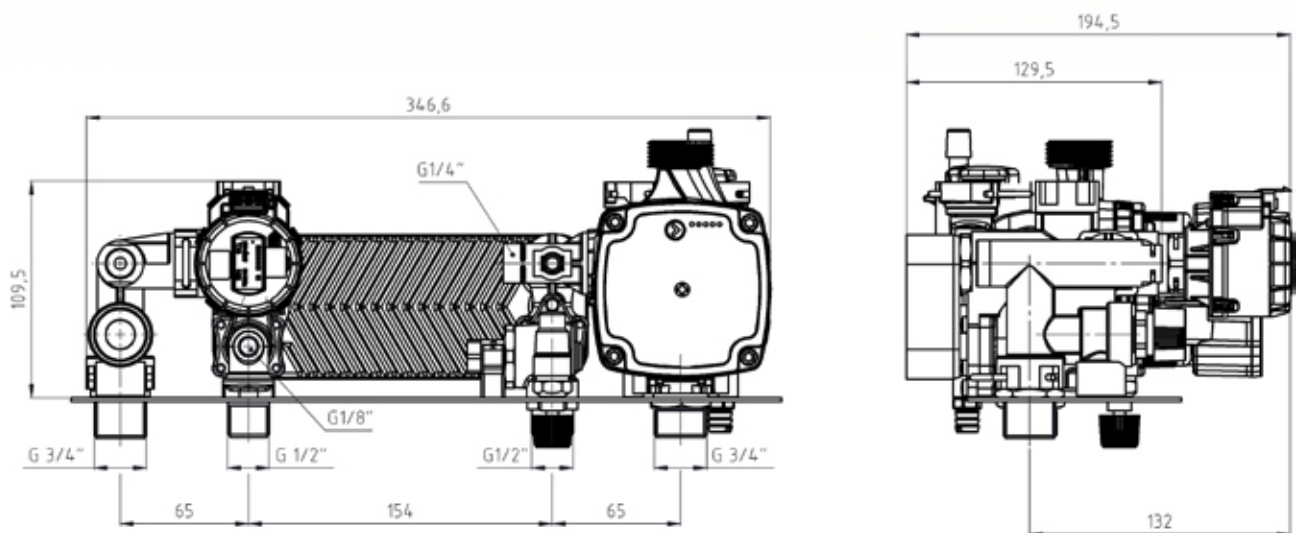


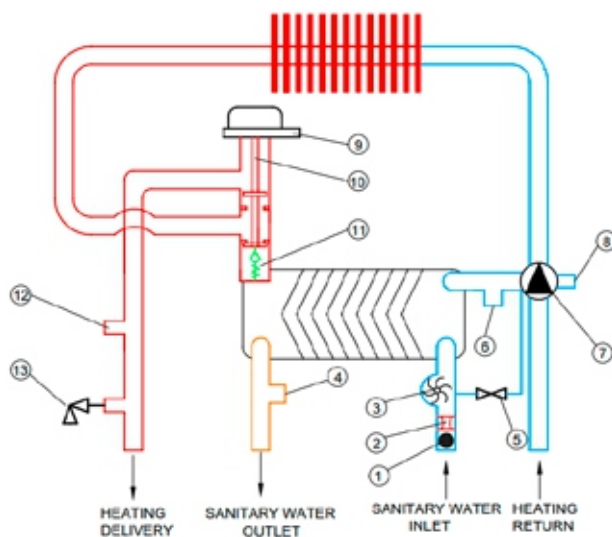
▶ PRODUCT CODE: HB-111



▶ TECHNICAL DRAWING



▶ HYDRAULIC CIRCUIT



- 1- DHW Filter
- 2- Flow Regulator
- 3- Flow Sensor (Turbine type, hall effect)
- 4- Sanitary Temperature Sensor Connection
- 5- Filling Tap
- 6- Pressure Gauge Connection
- 7- Circulation Pump
- 8- Expansion Vessel Connection
- 9- Three Way Valve Motor
- 10- Three Way Valve (Cartridge Type)
- 11- By-pass
- 12- Pressure Switch Connection
- 13- Safety Valve